

Polyvault MONObox



MATERIAL PROPERTIES

High Density Polyethylene (HDPE)

Tensile Strength	ISO 527-4	26.2MPa
Flexural Strength	ISO 14125	26.9MPa
Flexural Modulus	ISO 14125	1.09 GPA
Impact Strength	ISO 179	28 J/mm ²
Deflection Temperature Range (0.46MPa)	ISO 75-2	72.1 °C
Density (g/cm ³)	ISO 1183	0.95 - 0.98 g/cm ³
Water Absorption	ISO 62	0.01%
Volume Resistivity	IEC 60093	1.00E +16
Fire Performance	UL 94	HB
Limited Oxygen Index	ISO 4589-2	19%

These are indicative figures. Materials can be formulated to achieve different properties subject to specification/ customer requirements

POLYVAULT STANDARD SIZE GUIDE

Code	Length	Width	Depth							Datasheet
			470mm	570mm	670mm	770mm	915mm	1220mm	1525mm	
1824	610mm	470mm	1824-18	1824-22	1824-26	1824-30	1824-36	1824-48	1824-60	DAT 0701
2424	610mm	610mm	2424-18	2424-22	2424-26	2424-30	2424-36	2424-48	2424-60	DAT 0702
2436	910mm	610mm	2436-18	2436-22	2436-26	2436-30	2436-36	2436-48	2436-60	DAT 0703
2448	1220mm	610mm	2448-18	2448-22	2448-26	2448-30	2448-36	2448-48	2448-60	DAT 0704
2454	1370mm	610mm	2454-18	2454-22	2454-26	2454-30	2454-36	2454-48	2454-60	DAT 0705
2460	1530mm	610mm	2460-18	2460-22	2460-26	2460-30	2460-36	2460-48	2460-60	DAT 0706
3636	910mm	910mm	3636-18	3636-22	3636-26	3636-30	3636-36	3636-48	3636-60	DAT 0707
3648	1220mm	910mm	3648-18	3648-22	3648-26	3648-30	3648-36	3648-48	3648-60	DAT 0708
3660	1530mm	910mm	3660-18	3660-22	3660-26	3660-30	3660-36	3660-48	3660-60	DAT 0709
4848	1220mm	1220mm	4848-18	4848-22	4848-26	4848-30	4848-36	4848-48	4848-60	DAT 0710
4860	1530mm	1220mm	4860-18	4860-22	4860-26	4860-30	4860-36	4860-48	4860-60	DAT 0711
6060	1530mm	1530mm	6060-18	6060-22	6060-26	6060-30	6060-36	6060-48	6060-60	DAT 0712

The sizes shown are those that are commonly requested. The POLYVAULT system is available in depths from 470mm to 3000mm and clear openings from 400mm to 2500mm. Contact us for more information.

UV STABILITY

MULTIDUCT™ exposed to accelerated UV Exposure consisted of a repetitive cycle of 4 hours of UV light (UVB-313 lamp) at 60°C followed by 4 hours condensation (UV light off) at 50°C for a total of 1000 hours.

Specimen	Average Weight Change (%)	Average Dimensional Changes (%)		
		Length	Width	Thickness
Specimens exposed to 1000 hours of Accelerated UV Exposure	-0.04	< 0.05	No Change	No Change

Specimen	Average Flexural Strength (psi)	Average change in Flexural Strength (%)
Unexposed Specimen	1472	
Exposed Specimen	1561	6.1%

CoreTel s.r.o.
K Cintorínu 64
010 04 Žilina
Slovenská republika

IČO: 47 744 731
IČ DPH: SK2024077726

Fio banka a.s. č.ú.:
EUR: 2500577171/8330
CZK: 2100577172/2010
USD: 2400577174/8330

Tel. č.: +421 948 87 55 87
Tel. č.: +421 948 86 55 86
Email: coretel@coretel.eu
Web: www.coretel.eu

CLEAR OPENING

610mm
610mm x | **2424**

VERTICAL LOADING

When installed, meets the vertical loading requirements of EN124 Class B125 (12.5 tonnes) test load.

PRODUCT DEPTHS

Depth:	Ref:	Code:	Weight (kg)		
			chamber	with base (HDPE)	with base (ABS)
470mm	2424-18	SYPV24-06100610-2418B000	18.92kg	23.72kg	20.14kg
570mm	2424-22	SYPV24-06100610-2422B000	23.84kg	28.63kg	25.05kg
670mm	2424-26	SYPV24-06100610-2426B000	27.79kg	32.59kg	29.01kg
770mm	2424-30	SYPV24-06100610-2430B000	31.90kg	36.70kg	33.12kg
915mm	2424-36	SYPV24-06100610-2436B000	38.48kg	43.28kg	39.70kg
1220mm	2424-48	SYPV24-06100610-2448B000	51.46kg	56.26kg	52.68kg
1525mm	2424-60	SYPV24-06100610-2460B000	64.45kg	69.25kg	65.67kg

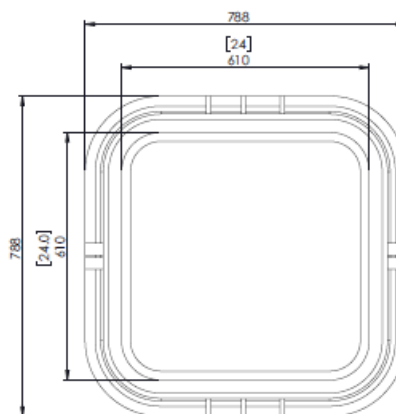
The sizes shown are those that are commonly requested within the 1824 range. The POLYVAULT system is available in depths from 470mm to 3000mm and clear openings from 400mm to 2500mm. Contact us for more information.

MATERIAL PROPERTIES

High Density Polyethylene (HDPE)

Tensile Strength	ISO 527-4	26.2MPA
Flexural Strength	ISO 14125	26.9MPA
Flexural Modulus	ISO 14125	1.09 GPA
Impact Strength	ISO 179	28 J/mm ²
Deflection Temperature Range (0.46MPA)	ISO 75-2	72.1 °C
Density (g/cm ³)	ISO 1183	0.95 - 0.98 g/cm ³
Water Absorption	ISO 62	0.01%
Volume Resistivity	IEC 60093	1.00E +16
Fire Performance	UL 94	HB
Limited Oxygen Index	ISO 4589-2	19%

These are indicative figures. Materials can be formulated to achieve different properties subject to specification/ customer requirements



CoreTel s.r.o.
K Cintorínu 64
010 04 Žilina
Slovenská republika

IČO: 47 744 731
IČ DPH: SK2024077726

Fio banka a.s. č.ú.:
EUR: 2500577171/8330
CZK: 2100577172/2010
USD: 2400577174/8330

Tel. č.: +421 948 87 55 87
Tel. č.: +421 948 86 55 86
Email: coretel@coretel.eu
Web: www.coretel.eu

CLEAR OPENING

910mm
610mm x | **2436**

VERTICAL LOADING

When installed, meets the vertical loading requirements of EN124 Class B125 (12.5 tonnes) test load.

PRODUCT DEPTHS

Depth:	Ref:	Code:	Weight (kg)		
			chamber	with base (HDPE)	with base (ABS)
470mm	2436-18	SYPV24-09100610-3618B000	23.72kg	30.92kg	27.38kg
570mm	2436-22	SYPV24-09100610-3622B000	30.02kg	37.22kg	33.68kg
670mm	2436-26	SYPV24-09100610-3626B000	35.36kg	42.56kg	39.02kg
770mm	2436-30	SYPV24-09100610-3630B000	40.54kg	47.74kg	44.20kg
915mm	2436-36	SYPV24-09100610-3636B000	48.40kg	55.60kg	52.06kg
1220mm	2436-48	SYPV24-09100610-3648B000	69.22kg	76.42kg	72.88kg
1525mm	2436-60	SYPV24-09100610-3660B000	86.05kg	93.25kg	89.71kg

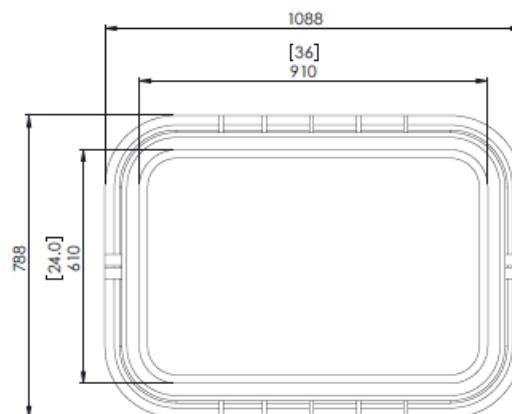
The sizes shown are those that are commonly requested within the 1824 range. The POLYVAULT system is available in depths from 470mm to 3000mm and clear openings from 400mm to 2500mm. Contact us for more information.

MATERIAL PROPERTIES

High Density Polyethylene (HDPE)

Tensile Strength	ISO 527-4	26.2MPA
Flexural Strength	ISO 14125	26.9MPA
Flexural Modulus	ISO 14125	1.09 GPA
Impact Strength	ISO 179	28 J/mm ²
Deflection Temperature Range (0.46MPA)	ISO 75-2	72.1 °C
Density (g/cm ³)	ISO 1183	0.95 - 0.98 g/cm ³
Water Absorption	ISO 62	0.01%
Volume Resistivity	IEC 60093	1.00E +16
Fire Performance	UL 94	HB
Limited Oxygen Index	ISO 4589-2	19%

These are indicative figures. Materials can be formulated to achieve different properties subject to specification/ customer requirements



CoreTel s.r.o.
K Cintorínu 64
010 04 Žilina
Slovenská republika

IČO: 47 744 731
IČ DPH: SK2024077726

Fio banka a.s. č.ú.:
EUR: 2500577171/8330
CZK: 2100577172/2010
USD: 2400577174/8330

Tel. č.: +421 948 87 55 87
Tel. č.: +421 948 86 55 86
Email: coretel@coretel.eu
Web: www.coretel.eu

CLEAR OPENING

**1220mm x
610mm**

2448

VERTICAL LOADING

When installed, meets the vertical loading requirements of EN124 Class B125 (12.5 tonnes) test load.

PRODUCT DEPTHS

Depth:	Ref:	Code:	Weight (kg)		
			chamber	with base (HDPE)	with base (ABS)
470mm	2448-18	SYPV24-12200610-4818B000	43.07kg	52.67kg	47.95kg
570mm	2448-22	SYPV24-12200610-4822B000	64.27kg	73.86kg	69.14kg
670mm	2448-26	SYPV24-12200610-4826B000	70.43kg	80.02kg	75.30kg
770mm	2448-30	SYPV24-12200610-4830B000	76.90kg	86.50kg	81.78kg
915mm	2448-36	SYPV24-12200610-4836B000	87.42kg	97.02kg	92.30kg
1220mm	2448-48	SYPV24-12200610-4848B000	125.26kg	134.86kg	130.14kg
1525mm	2448-60	SYPV24-12200610-4860B000	159.09kg	168.69kg	163.97kg

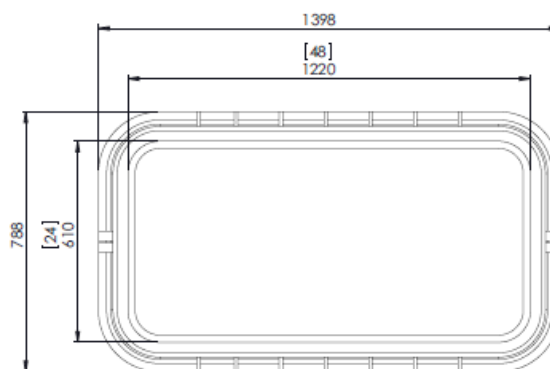
The sizes shown are those that are commonly requested within the 1824 range. The POLYVAULT system is available in depths from 470mm to 3000mm and clear openings from 400mm to 2500mm. Contact us for more information.

MATERIAL PROPERTIES

High Density Polyethylene (HDPE)

Tensile Strength	ISO 527-4	26.2MPA
Flexural Strength	ISO 14125	26.9MPA
Flexural Modulus	ISO 14125	1.09 GPA
Impact Strength	ISO 179	28 J/mm ²
Deflection Temperature Range (0.46MPA)	ISO 75-2	72.1 °C
Density (g/cm ³)	ISO 1183	0.95 - 0.98 g/cm ³
Water Absorption	ISO 62	0.01%
Volume Resistivity	IEC 60093	1.00E +16
Fire Performance	UL 94	HB
Limited Oxygen Index	ISO 4589-2	19%

These are indicative figures. Materials can be formulated to achieve different properties subject to specification/ customer requirements



CoreTel s.r.o.
K Cintorínu 64
010 04 Žilina
Slovenská republika

IČO: 47 744 731
IČ DPH: SK2024077726

Fio banka a.s. č.ú.:
EUR: 2500577171/8330
CZK: 2100577172/2010
USD: 2400577174/8330

Tel. č.: +421 948 87 55 87
Tel. č.: +421 948 86 55 86
Email: coretel@coretel.eu
Web: www.coretel.eu

CLEAR OPENING

1530mm x 610mm | **2460**

VERTICAL LOADING

When installed, meets the vertical loading requirements of EN124 Class B125 (12.5 tonnes) test load.

PRODUCT DEPTHS

Depth:	Ref:	Code:	Weight (kg)		
			chamber	with base (HDPE)	with base (ABS)
470mm	2460-18	SYPV24-15300610-6018B000	52.52kg	64.52kg	58.62kg
570mm	2460-22	SYPV24-15300610-6022B000	79.37kg	91.37kg	85.47kg
670mm	2460-26	SYPV24-15300610-6026B000	86.70kg	98.70kg	92.80kg
770mm	2460-30	SYPV24-15300610-6030B000	94.35kg	106.35kg	100.45kg
915mm	2460-36	SYPV24-15300610-6036B000	106.63kg	118.63kg	112.73kg
1220mm	2460-48	SYPV24-15300610-6048B000	152.47kg	164.47kg	158.57kg
1525mm	2460-60	SYPV24-15300610-6060B000	194.31kg	206.31kg	200.41kg

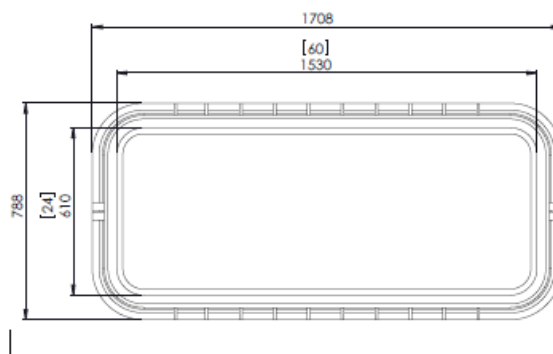
The sizes shown are those that are commonly requested within the 1824 range. The POLYVAULT system is available in depths from 470mm to 3000mm and clear openings from 400mm to 2500mm. Contact us for more information.

MATERIAL PROPERTIES

High Density Polyethylene (HDPE)

Tensile Strength	ISO 527-4	26.2MPA
Flexural Strength	ISO 14125	26.9MPA
Flexural Modulus	ISO 14125	1.09 GPA
Impact Strength	ISO 179	28 J/mm ²
Deflection Temperature Range (0.46MPA)	ISO 75-2	72.1 °C
Density (g/cm ³)	ISO 1183	0.95 - 0.98 g/cm ³
Water Absorption	ISO 62	0.01%
Volume Resistivity	IEC 60093	1.00E +16
Fire Performance	UL 94	HB
Limited Oxygen Index	ISO 4589-2	19%

These are indicative figures. Materials can be formulated to achieve different properties subject to specification/ customer requirements



CoreTel s.r.o.
K Cintorínu 64
010 04 Žilina
Slovenská republika

IČO: 47 744 731
IČ DPH: SK2024077726

Fio banka a.s. č.ú.:
EUR: 2500577171/8330
CZK: 2100577172/2010
USD: 2400577174/8330

Tel. č.: +421 948 87 55 87
Tel. č.: +421 948 86 55 86
Email: coretel@coretel.eu
Web: www.coretel.eu

CLEAR OPENING

**910mm
910mm**

x

| 3636

VERTICAL LOADING

When installed, meets the vertical loading requirements of EN124 Class B125 (12.5 tonnes) test load.

PRODUCT DEPTHS

Depth:	Ref:	Code:	Weight (kg)		
			chamber	with base (HDPE)	with base (ABS)
470mm	3636-18	SYPV36-09100910-3618B000	38.68kg	49.48kg	44.17kg
570mm	3636-22	SYPV36-09100910-3622B000	55.92kg	66.72kg	61.41kg
670mm	3636-26	SYPV36-09100910-3626B000	62.05kg	72.84kg	67.53kg
770mm	3636-30	SYPV36-09100910-3630B000	68.49kg	79.29kg	73.98kg
915mm	3636-36	SYPV36-09100910-3636B000	78.95kg	89.75kg	84.44kg
1220mm	3636-48	SYPV36-09100910-3648B000	112.77kg	123.57kg	118.26kg
1525mm	3636-60	SYPV36-09100910-3660B000	142.58kg	153.38kg	148.07kg

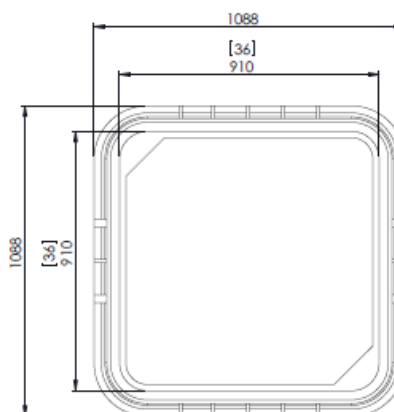
The sizes shown are those that are commonly requested within the 1824 range. The POLYVAULT system is available in depths from 470mm to 3000mm and clear openings from 400mm to 2500mm. Contact us for more information.

MATERIAL PROPERTIES

High Density Polyethylene (HDPE)

Tensile Strength	ISO 527-4	26.2MPa
Flexural Strength	ISO 14125	26.9MPa
Flexural Modulus	ISO 14125	1.09 GPA
Impact Strength	ISO 179	28 J/mm ²
Deflection Temperature Range (0.46MPa)	ISO 75-2	72.1 °C
Density (g/cm ³)	ISO 1183	0.95 - 0.98 g/cm ³
Water Absorption	ISO 62	0.01%
Volume Resistivity	IEC 60093	1.00E +16
Fire Performance	UL 94	HB
Limited Oxygen Index	ISO 4589-2	19%

These are indicative figures. Materials can be formulated to achieve different properties subject to specification/ customer requirements



CoreTel s.r.o.
K Cintorínu 64
010 04 Žilina
Slovenská republika

IČO: 47 744 731
IČ DPH: SK2024077726

Fio banka a.s. č.ú.:
EUR: 2500577171/8330
CZK: 2100577172/2010
USD: 2400577174/8330

Tel. č.: +421 948 87 55 87
Tel. č.: +421 948 86 55 86
Email: coretel@coretel.eu
Web: www.coretel.eu

CLEAR OPENING

1220mm x 910mm

3648

VERTICAL LOADING

When installed, meets the vertical loading requirements of EN124 Class B125 (12.5 tonnes) test load.

PRODUCT DEPTHS

Depth:	Ref:	Code:	Weight (kg)		
			chamber	with base (HDPE)	with base (ABS)
470mm	3648-18	SYPV36-12200910-4818B000	50.87kg	65.27kg	58.19kg
570mm	3648-22	SYPV36-12200910-4822B000	74.44kg	88.84kg	81.76kg
670mm	3648-26	SYPV36-12200910-4826B000	82.33kg	96.73kg	89.65kg
770mm	3648-30	SYPV36-12200910-4830B000	90.54kg	104.94kg	97.86kg
915mm	3648-36	SYPV36-12200910-4836B000	103.66kg	118.06kg	110.98kg
1220mm	3648-48	SYPV36-12200910-4848B000	147.34kg	161.74kg	154.66kg
1525mm	3648-60	SYPV36-12200910-4860B000	187.01kg	201.41kg	194.33kg

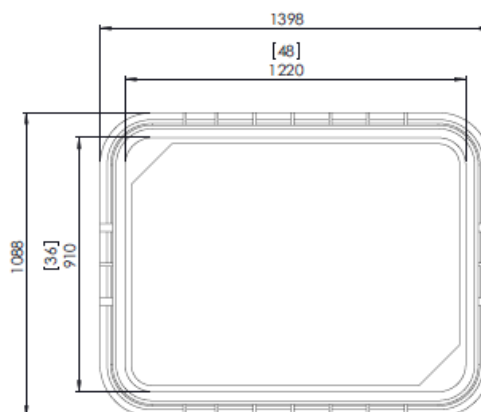
The sizes shown are those that are commonly requested within the 1824 range. The POLYVAULT system is available in depths from 470mm to 3000mm and clear openings from 400mm to 2500mm. Contact us for more information.

MATERIAL PROPERTIES

High Density Polyethylene (HDPE)

Tensile Strength	ISO 527-4	26.2MPA
Flexural Strength	ISO 14125	26.9MPA
Flexural Modulus	ISO 14125	1.09 GPA
Impact Strength	ISO 179	28 J/mm ²
Deflection Temperature Range (0.46MPA)	ISO 75-2	72.1 °C
Density (g/cm ³)	ISO 1183	0.95 - 0.98 g/cm ³
Water Absorption	ISO 62	0.01%
Volume Resistivity	IEC 60093	1.00E +16
Fire Performance	UL 94	HB
Limited Oxygen Index	ISO 4589-2	19%

These are indicative figures. Materials can be formulated to achieve different properties subject to specification/ customer requirements



CoreTel s.r.o.
K Cintorínu 64
010 04 Žilina
Slovenská republika

IČO: 47 744 731
IČ DPH: SK2024077726

Fio banka a.s. č.ú.:
EUR: 2500577171/8330
CZK: 2100577172/2010
USD: 2400577174/8330

Tel. č.: +421 948 87 55 87
Tel. č.: +421 948 86 55 86
Email: coretel@coretel.eu
Web: www.coretel.eu

CLEAR OPENING

1530mm x | **3660**
910mm

VERTICAL LOADING

When installed, meets the vertical loading requirements of EN124 Class B125 (12.5 tonnes) test load.

PRODUCT DEPTHS

Depth:	Ref:	Code:	Weight (kg)		
			chamber	with base (HDPE)	with base (ABS)
470mm	3660-18	SYPV36-15300910-6018B000	57.00kg	75.00kg	66.15kg
570mm	3660-22	SYPV36-15300910-6022B000	85.49kg	103.48kg	94.63kg
670mm	3660-26	SYPV36-15300910-6026B000	93.82kg	111.81kg	102.96kg
770mm	3660-30	SYPV36-15300910-6030B000	102.46kg	120.46kg	111.61kg
915mm	3660-36	SYPV36-15300910-6036B000	116.23kg	134.23kg	125.38kg
1220mm	3660-48	SYPV36-15300910-6048B000	165.70kg	183.70kg	174.85kg
1525mm	3660-60	SYPV36-15300910-6060B000	211.17kg	229.17kg	220.32kg

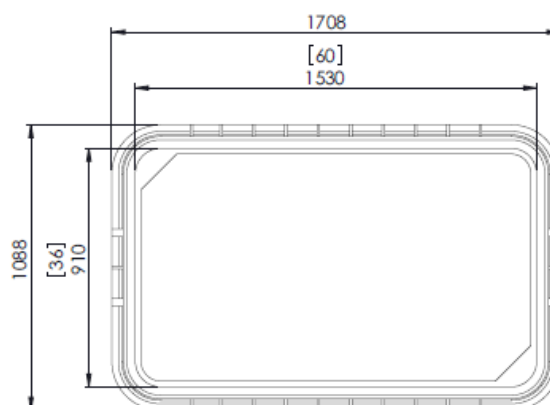
The sizes shown are those that are commonly requested within the 1824 range. The POLYVAULT system is available in depths from 470mm to 3000mm and clear openings from 400mm to 2500mm. Contact us for more information.

MATERIAL PROPERTIES

High Density Polyethylene (HDPE)

Tensile Strength	ISO 527-4	26.2MPA
Flexural Strength	ISO 14125	26.9MPA
Flexural Modulus	ISO 14125	1.09 GPA
Impact Strength	ISO 179	28 J/mm ²
Deflection Temperature Range (0.46MPA)	ISO 75-2	72.1 °C
Density (g/cm ³)	ISO 1183	0.95 - 0.98 g/cm ³
Water Absorption	ISO 62	0.01%
Volume Resistivity	IEC 60093	1.00E +16
Fire Performance	UL 94	HB
Limited Oxygen Index	ISO 4589-2	19%

These are indicative figures. Materials can be formulated to achieve different properties subject to specification/ customer requirements



CoreTel s.r.o.
K Cintorínu 64
010 04 Žilina
Slovenská republika

IČO: 47 744 731
IČ DPH: SK2024077726

Fio banka a.s. č.ú.:
EUR: 2500577171/8330
CZK: 2100577172/2010
USD: 2400577174/8330

Tel. č.: +421 948 87 55 87
Tel. č.: +421 948 86 55 86
Email: coretel@coretel.eu
Web: www.coretel.eu

CLEAR OPENING

1220mm
1220mm x

4848

VERTICAL LOADING

When installed, meets the vertical loading requirements of EN124 Class B125 (12.5 tonnes) test load.

PRODUCT DEPTHS

Depth:	Ref:	Code:	Weight (kg)		
			chamber	with base (HDPE)	with base (ABS)
470mm	4848-18	SYPV48-12201220-4818B000	68.19kg	87.39kg	77.95kg
570mm	4848-22	SYPV48-12201220-4822B000	106.26kg	125.46kg	116.02kg
670mm	4848-26	SYPV48-12201220-4826B000	114.59kg	133.79kg	124.35kg
770mm	4848-30	SYPV48-12201220-4830B000	123.56kg	142.76kg	133.32kg
915mm	4848-36	SYPV48-12201220-4836B000	138.61kg	157.81kg	148.37kg
1220mm	4848-48	SYPV48-12201220-4848B000	197.98kg	217.18kg	207.74kg
1525mm	4848-60	SYPV48-12201220-4860B000	253.36kg	272.56kg	263.12kg

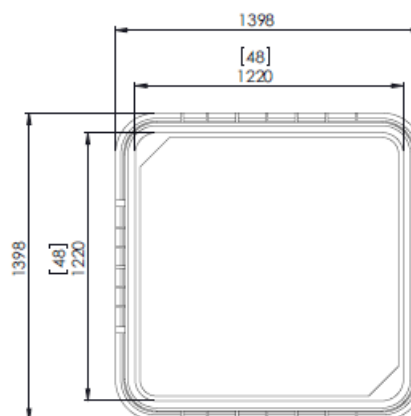
The sizes shown are those that are commonly requested within the 1824 range. The POLYVAULT system is available in depths from 470mm to 3000mm and clear openings from 400mm to 2500mm. Contact us for more information.

MATERIAL PROPERTIES

High Density Polyethylene (HDPE)

Tensile Strength	ISO 527-4	26.2MPA
Flexural Strength	ISO 14125	26.9MPA
Flexural Modulus	ISO 14125	1.09 GPA
Impact Strength	ISO 179	28 J/mm ²
Deflection Temperature Range (0.46MPA)	ISO 75-2	72.1 °C
Density (g/cm ³)	ISO 1183	0.95 - 0.98 g/cm ³
Water Absorption	ISO 62	0.01%
Volume Resistivity	IEC 60093	1.00E +16
Fire Performance	UL 94	HB
Limited Oxygen Index	ISO 4589-2	19%

These are indicative figures. Materials can be formulated to achieve different properties subject to specification/ customer requirements



CoreTel s.r.o.
K Cintorínu 64
010 04 Žilina
Slovenská republika

IČO: 47 744 731
IČ DPH: SK2024077726

Fio banka a.s. č.ú.:
EUR: 2500577171/8330
CZK: 2100577172/2010
USD: 2400577174/8330

Tel. č.: +421 948 87 55 87
Tel. č.: +421 948 86 55 86
Email: coretel@coretel.eu
Web: www.coretel.eu

CLEAR OPENING

**1530mm x
1220mm**

4860

VERTICAL LOADING

When installed, meets the vertical loading requirements of EN124 Class B125 (12.5 tonnes) test load.

PRODUCT DEPTHS

Depth:	Ref:	Code:	Weight (kg)		
			chamber	with base (HDPE)	with base (ABS)
470mm	4860-18	SYPV48-15301220-6018B000	77.31kg	101.31kg	89.51kg
570mm	4860-22	SYPV48-15301220-6022B000	120.98kg	144.97kg	133.17kg
670mm	4860-26	SYPV48-15301220-6026B000	130.40kg	154.40kg	142.60kg
770mm	4860-30	SYPV48-15301220-6030B000	140.48kg	164.48kg	152.68kg
915mm	4860-36	SYPV48-15301220-6036B000	157.18kg	181.18kg	169.38kg
1220mm	4860-48	SYPV48-15301220-6048B000	224.35kg	248.35kg	236.55kg
1525mm	4860-60	SYPV48-15301220-6060B000	287.52kg	331.52kg	299.72kg

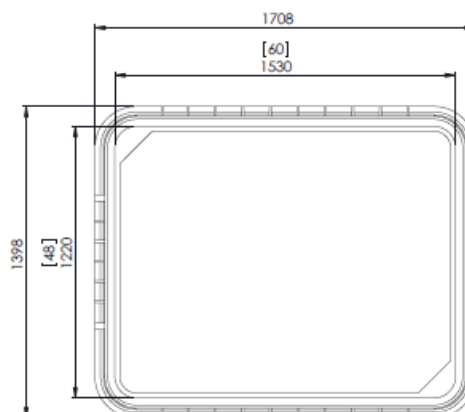
The sizes shown are those that are commonly requested within the 1824 range. The POLYVAULT system is available in depths from 470mm to 3000mm and clear openings from 400mm to 2500mm. Contact us for more information.

MATERIAL PROPERTIES

High Density Polyethylene (HDPE)

Tensile Strength	ISO 527-4	26.2MPA
Flexural Strength	ISO 14125	26.9MPA
Flexural Modulus	ISO 14125	1.09 GPA
Impact Strength	ISO 179	28 J/mm ²
Deflection Temperature Range (0.46MPA)	ISO 75-2	72.1 °C
Density (g/cm ³)	ISO 1183	0.95 - 0.98 g/cm ³
Water Absorption	ISO 62	0.01%
Volume Resistivity	IEC 60093	1.00E +16
Fire Performance	UL 94	HB
Limited Oxygen Index	ISO 4589-2	19%

These are indicative figures. Materials can be formulated to achieve different properties subject to specification/ customer requirements



CoreTel s.r.o.
K Cintorínu 64
010 04 Žilina
Slovenská republika

IČO: 47 744 731
IČ DPH: SK2024077726

Fio banka a.s. č.ú.:
EUR: 2500577171/8330
CZK: 2100577172/2010
USD: 2400577174/8330

Tel. č.: +421 948 87 55 87
Tel. č.: +421 948 86 55 86
Email: coretel@coretel.eu
Web: www.coretel.eu

CLEAR OPENING

**1530mm x
1530mm**

6060

VERTICAL LOADING

When installed, meets the vertical loading requirements of EN124 Class B125 (12.5 tonnes) test load.

PRODUCT DEPTHS

Depth:	Ref:	Code:	Weight (kg)		
			chamber	with base (HDPE)	with base (ABS)
470mm	6060-18	SYPV60-15301530-6018B000	88.91kg	118.92kg	104.17kg
570mm	6060-22	SYPV60-15301530-6022B000	139.22kg	169.22kg	154.47kg
670mm	6060-26	SYPV60-15301530-6026B000	151.58kg	181.58kg	166.83kg
770mm	6060-30	SYPV60-15301530-6030B000	163.30kg	193.30kg	178.55kg
915mm	6060-36	SYPV60-15301530-6036B000	181.21kg	211.21kg	196.46kg
1220mm	6060-48	SYPV60-15301530-6048B000	258.61kg	288.61kg	273.86kg
1525mm	6060-60	SYPV60-15301530-6060B000	331.70kg	361.70kg	346.95kg

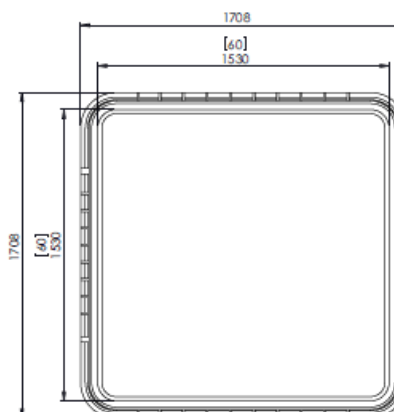
The sizes shown are those that are commonly requested within the 1824 range. The POLYVAULT system is available in depths from 470mm to 3000mm and clear openings from 400mm to 2500mm. Contact us for more information.

MATERIAL PROPERTIES

High Density Polyethylene (HDPE)

Tensile Strength	ISO 527-4	26.2MPA
Flexural Strength	ISO 14125	26.9MPA
Flexural Modulus	ISO 14125	1.09 GPA
Impact Strength	ISO 179	28 J/mm ²
Deflection Temperature Range (0.46MPA)	ISO 75-2	72.1 °C
Density (g/cm ³)	ISO 1183	0.95 - 0.98 g/cm ³
Water Absorption	ISO 62	0.01%
Volume Resistivity	IEC 60093	1.00E +16
Fire Performance	UL 94	HB
Limited Oxygen Index	ISO 4589-2	19%

These are indicative figures. Materials can be formulated to achieve different properties subject to specification/ customer requirements



CoreTel s.r.o.
K Cintorínu 64
010 04 Žilina
Slovenská republika

IČO: 47 744 731
IČ DPH: SK2024077726

Fio banka a.s. č.ú.:
EUR: 2500577171/8330
CZK: 2100577172/2010
USD: 2400577174/8330

Tel. č.: +421 948 87 55 87
Tel. č.: +421 948 86 55 86
Email: coretel@coretel.eu
Web: www.coretel.eu